

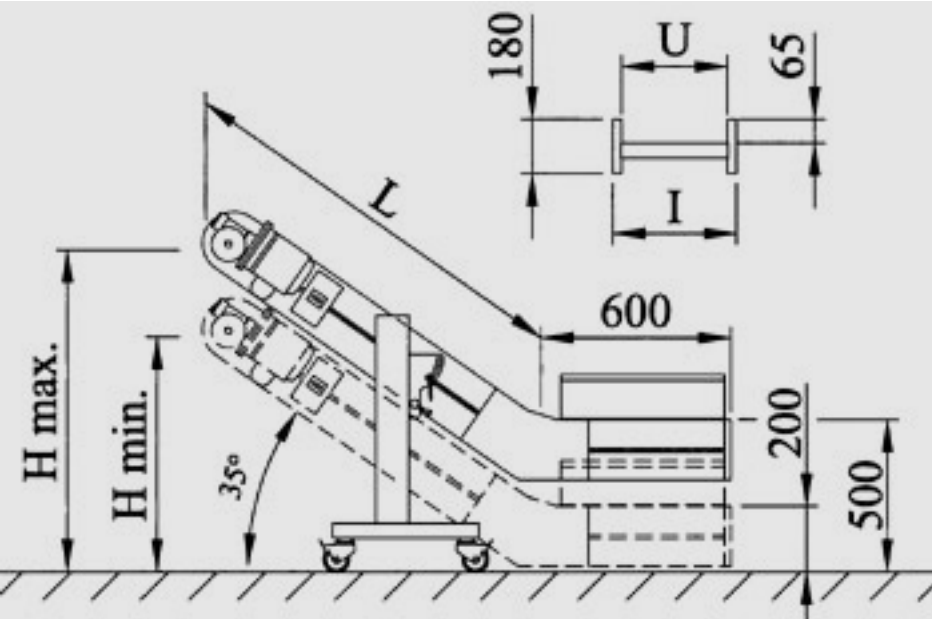
BELT CONVEYORS

NC CONVEYOR

This conveyor is designed to be placed parallel to the processing machine, either on the operator or non operator side.



mod.	L	U	h min.	h max.
NC1	1300	250	750	1050
NC2	1300	350	750	1050
NC3	1300	450	750	1050
NC4	1800	250	1050	1350
NC5	1800	350	1050	1350
NC6	1800	450	1050	1350



www.techspanonline.com

Australia:
 P O Box 1012, Mascot, NSW 1460, Sydney
 Ph: 1-800 148 791 Fx: 1-800 148 799
 sales@techspanonline.com www.techspanonline.com

New Zealand:
 P O Box 15262, New Lynn, Auckland
 Ph: ++64 (09) 8276567 Fx: ++64 (09) 827 6596
 sales@techspanonline.com www.techspanonline.com