

ANTI-VIBRATION

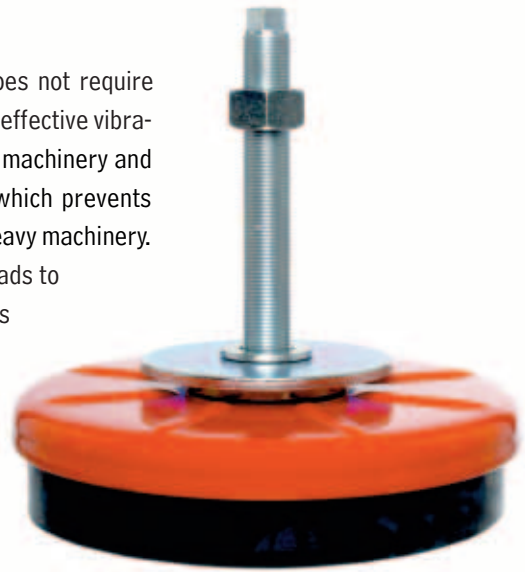
»» OSM-Series

The OSM-Series mount is designed for use on machinery that does not require fastening to the floor and where stringent demands are imposed on effective vibration damping and the reduction of troublesome noise emitted from machinery and equipment. It has been designed with the aid of FEM analysis, which prevents fatigue from fast working cycle times and strong lateral forces in heavy machinery.

The reinforced leveling bolt support cup distributes machine loads to the support points within the mount. The leveling element provides direct and reliable machine mounting to suit most installation needs.

Vertical as well as horizontal forces are dampened out by the integral nitrile pad, which also provides chemical resistance to most fluids.

A tried and tested design with good leveling characteristics makes the OSM-Series the natural choice for the majority of machine types used in industry.



ADVANTAGES

- » High strength machined components
- » Quick and easy installation
- » Excellent leveling characteristics
- » High vibration reduction
- » Reduces troublesome noise
- » Withstands loads up to 5500 kg

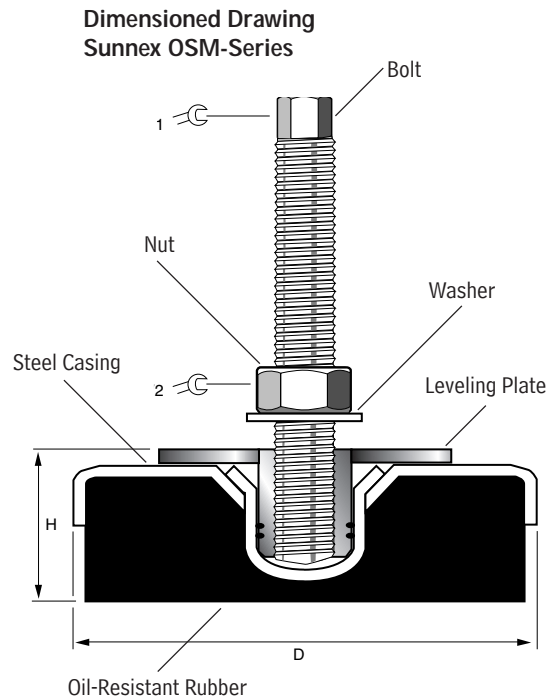


The Sunnex OSM-Series are available in:

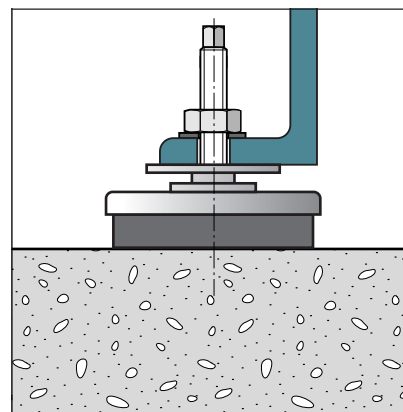
Red Painted, Zinc Plated and Yellow Chromated as standard. Custom color on request.

APPLICATIONS

- » BAND SAWS
- » DIE-CASTING EQUIPMENT
- » DRILL PRESSES
- » ENGINEERING MACHINES
- » GRINDERS
- » LATHES
- » MILLING MACHINES
- » PACKAGING EQUIPMENT
- » MOLDING MACHINES
- » PRINTING PRESSES
- » STAMPING MACHINES



Assembly example
Sunnex OSM-Series



STANDARD: The OSM-Series includes one nut and washer set.

ACCESSORIES: Steel Spacers, Additional Bolt Lengths, Thread Adapters.

Model	Load area daN (kg)	Height, H min., mm	Diameter, D mm	⌀1 mm	⌀2 mm	Thread type
OSM 1	50-500	38	80	9	19	M12 x 1,25 x 120
OSM 2	400-1000	46	120	12	24	M16 x 1,50 x 120
OSM 3	800-2000	53	160	15	30	M20 x 1,50 x 170
OSM 4	1500-4000	54	160	15	30	M20 x 1,50 x 170
OSM 5	3000-5500	56	200	15	30	M20 x 1,50 x 170